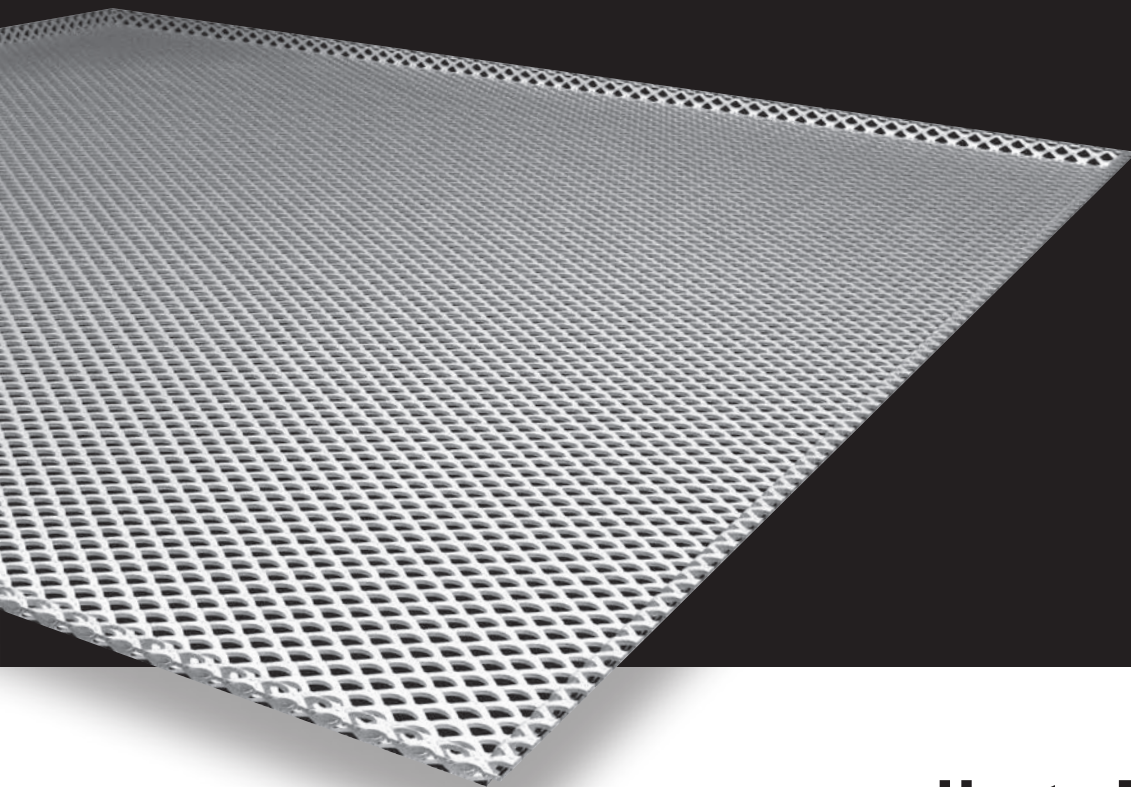




Stretch Metal C-Grid

Stretch Metal from Hunter Douglas is a highly versatile designer material giving extra visual effects to ceilings. It is very easy to customise ceilings by varying the types of mesh, their arrangement, the lighting and the colour.



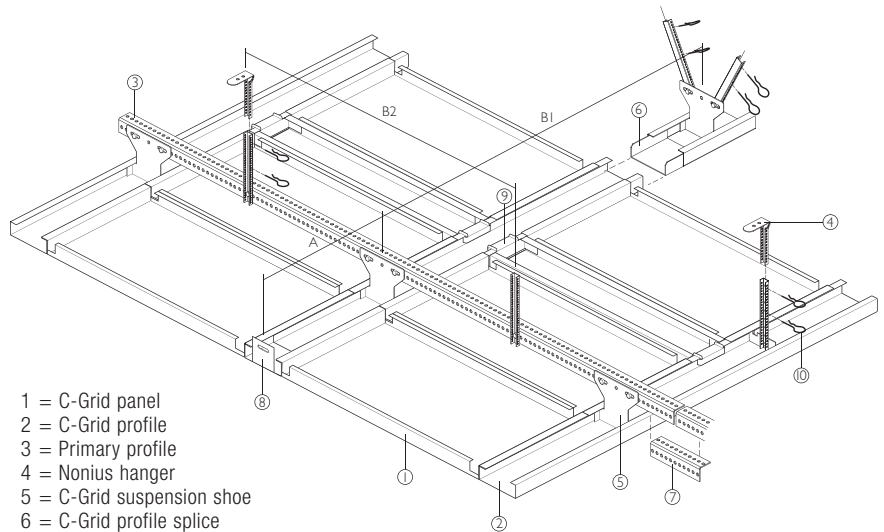
HunterDouglas 
Architectural

C-Grid

PLANKS

Stretch Metal planks designed to be installed on conventional C-Grid profiles. The planks can be lifted and easily removed without the aid of tools. The steel panels are recyclable, lightweight and strong.

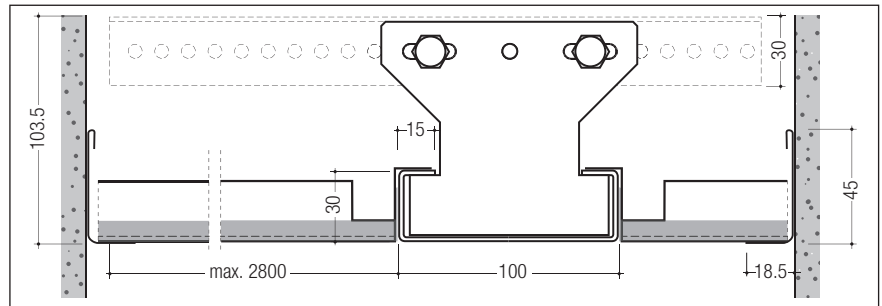
Applications are similar to Bandraster systems. The difference being the flush connection of the panels with the C-Grid profiles. By using 'cross runners', the c-grid profiles can also easily be installed in a tartan-grid design.



- 1 = C-Grid panel
- 2 = C-Grid profile
- 3 = Primary profile
- 4 = Nonius hanger
- 5 = C-Grid suspension shoe
- 6 = C-Grid profile splice
- 7 = Primary profile splice
- 8 = Wall bracket
- 9 = Cross connector
- 10 = Locking clips

A = 300 mm (max.)
 B1 = 1200 mm (max.)
 B2 = 1200 mm (max.)

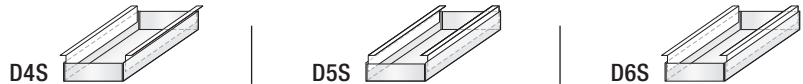
CONSTRUCTION DETAILS



BASE MATERIAL

Stretch Metal planks are available in steel. The Stretch Metal planks are strengthened with a welded support profile inside (Version-II).

Version-II: Stretch Metal with welded support profile



OVERVIEW AVAILABLE EXECUTIONS / MAXIMUM DIMENSIONS

Mesh Type	% Open	Version-II, with reinforcement: D4S-D6S
LS6	40	600 x 2800 mm
LD6	40	600 x 2800 mm
LS8	54	600 x 2800 mm
LS10	57	600 x 2800 mm
LS12	66	600 x 2800 mm
LS16	46	600 x 2800 mm

Remark: due to differences in deflection, one shall never mix Version-I and Version-II panels in one area

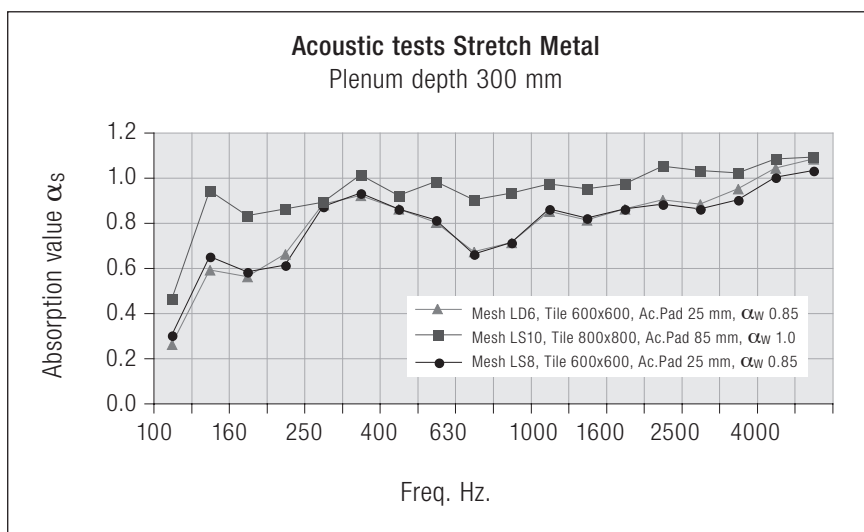
MATERIAL REQUIREMENT PER M²

Components	Unit	Fe
		Version-II, max 600 x 2800 mm
Stretch Metal C-Grid	pcs	0.59
C-Grid profile	lm	0.36
C-Grid profile splice	pcs	0.07
Primary angle profile	lm	0.83
Primary angle profile splice	pcs	0.17
Suspension	pcs	0.69
Suspension shoe	pcs	0.30

Acoustics

ACOUSTIC PERFORMANCE

Using acoustic pads on top of the Stretch Metal panels offers exceptional acoustic performance. The thickness of the pads can be chosen depending on the required acoustical values. The acoustic absorption value can reach α_w 1 with an acoustical pad of 85 mm.



Material

TRANSPARENCY

The tiles can be made from various mesh types. This results in different optical effects if the natural or artificial light comes from the plenum. It is important to realise that stretch metal meshes do have a direction. Depending on viewing direction the mesh appears more or less open. This influences light coming through the material but also the visibility of installations in the plenum. The physical transparency can also be used for smoke extraction and sprinkler operation in case of fire.

FIRE BEHAVIOUR

HunterDouglas® metal ceilings are classified incombustible, and will therefore not contribute to fires. When ceilings need to protect the structural integrity of a building, HunterDouglas® ceilings offer a wide range of practical solutions with regards to fire resistance and fire stability. Further information is available on request.

COATING

Stretch Metal tiles are all powder coated materials. Durable powder coatings for exterior use are optionally available.

COLOUR RANGE

The standard colour range consists of RAL and NCS colours, including chrome. Other special colours are available on request.

QUALITY

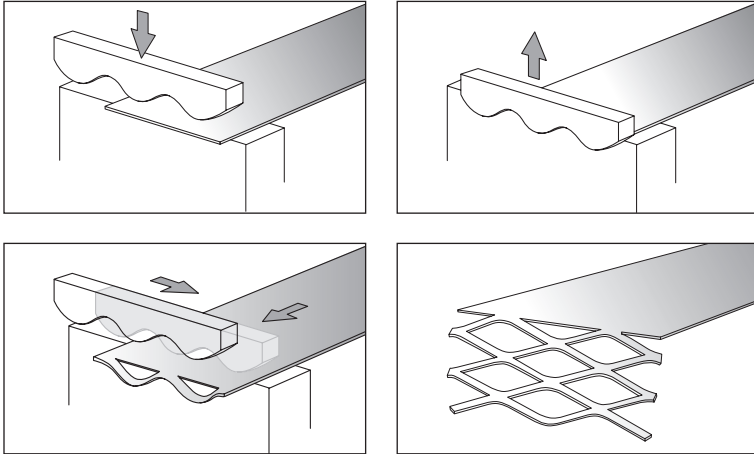
Our focus on quality ensures the highest standard of production process, material, machinery and finished product. The superior durability of Hunter Douglas products translates into lower costs during the life cycle of the product due to longer life expectancy and lower maintenance costs. Our company processes are ISO 9001 certified.

INSTALLATION

It is necessary for all versions that qualitative suspension systems are used. The systems must be stable, aligned and leveled so that they comply with the requirements of the panels. For information on installation, refer to the applicable assembly instruction leaflets.

Mesh Types Tiles & Planks

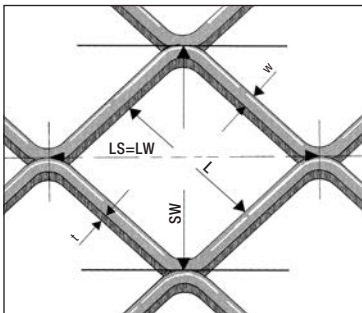
Stretch Metal consists of metal sheet with diamond or square shaped holes. The stretch metal material is made with a tool that simultaneously cuts and stretches the sheets. As a result the mesh is created without any waste of material.



MESH TYPES

Standard

The standard mesh types are a square mesh (LS) or a diamond shaped mesh (LD) with a variation in openness of the mesh. The range starts with the smallest LS6/LD6 up to LS16. All mesh types are available in steel, with types LS8 and LS12 also available in aluminium.

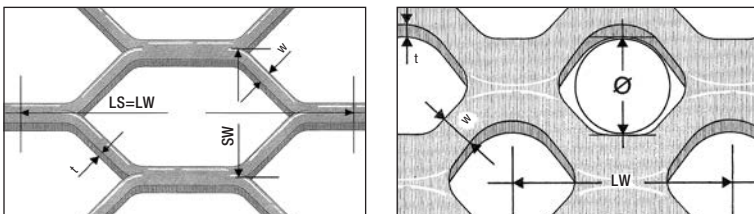


Key

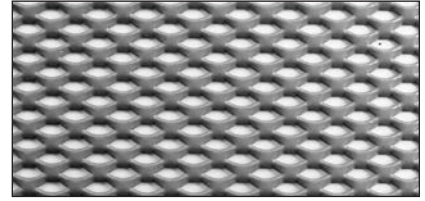
- LS = LW
- LW = Long diagonal of mesh
- SW = Short diagonal of mesh
- W = Strand width
- t = Strand Thickness
- L = Inner size

Special

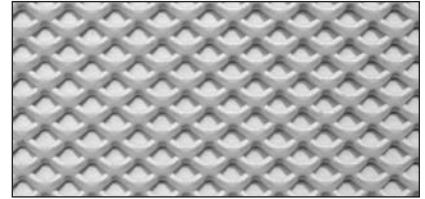
Several other mesh types are available on request, depending on technical requirements and availability. Hexagonal mesh, Round mesh and Ornamental meshes are examples of the possibilities.



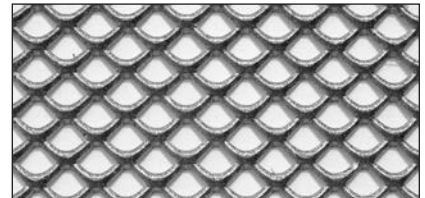
STANDARD MESH TYPES:



LD6 (Fe) open area 40%, thickness 1.7 mm
dimensions: 6 x 3.5 - 1.1 x 0.8 - 1.6 kg/m²



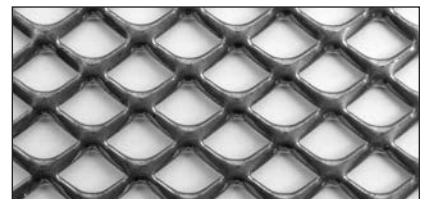
LS6 (Fe) open area 36%, thickness 1.7 mm
dimensions: 6 x 4.5 - 1.2 x 1.0 - 1.3 kg/m²



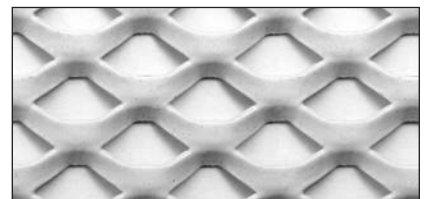
LS8 (Fe+Al) open area 54%, thickness 1.9 mm
dimensions: 8 x 6.0 - 1.2 x 1.0 - 1.7 kg/m²



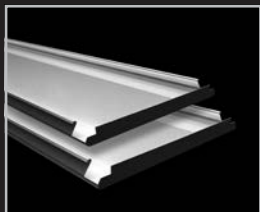
LS10 (Fe) open area 57%, thickness 2.0 mm
dimensions: 10 x 7.0 - 1.5 x 1.0 - 1.3 kg/m²



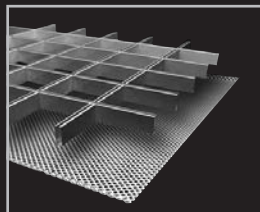
LS12 (Fe+Al) open area 66%, thickness 2.0 mm
dimensions: 12 x 9.5 - 1.6 x 1.0 - 1.7 kg/m²



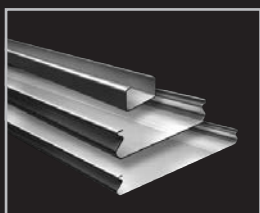
LS16 (Fe) open area 46%, thickness 2.0 mm
dimensions: 16 x 11.0 - 3.0 x 2.0 - 2.0 kg/m²



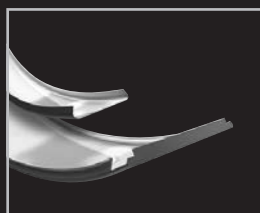
Wide Panel



Cell | Stretch metal



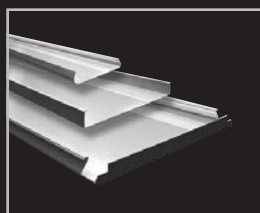
Linear



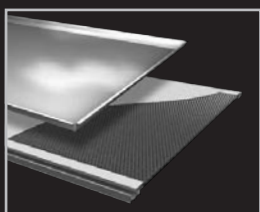
Curved



Screen



Exterior



Tiles | XLnt panel

- Belgium
- Bulgaria
- Croatia / Slovenia
- Czech Republic
- Denmark
- France
- Germany
- Greece
- Hungary
- Italy
- The Netherlands
- Norway
- Poland
- Portugal
- Romania
- Russia
- Serbia
- Slovakia
- Spain
- Sweden
- Switzerland
- Turkey
- United Kingdom
- Africa
- Middle East

- Asia
- Australia
- Latin America
- North America

